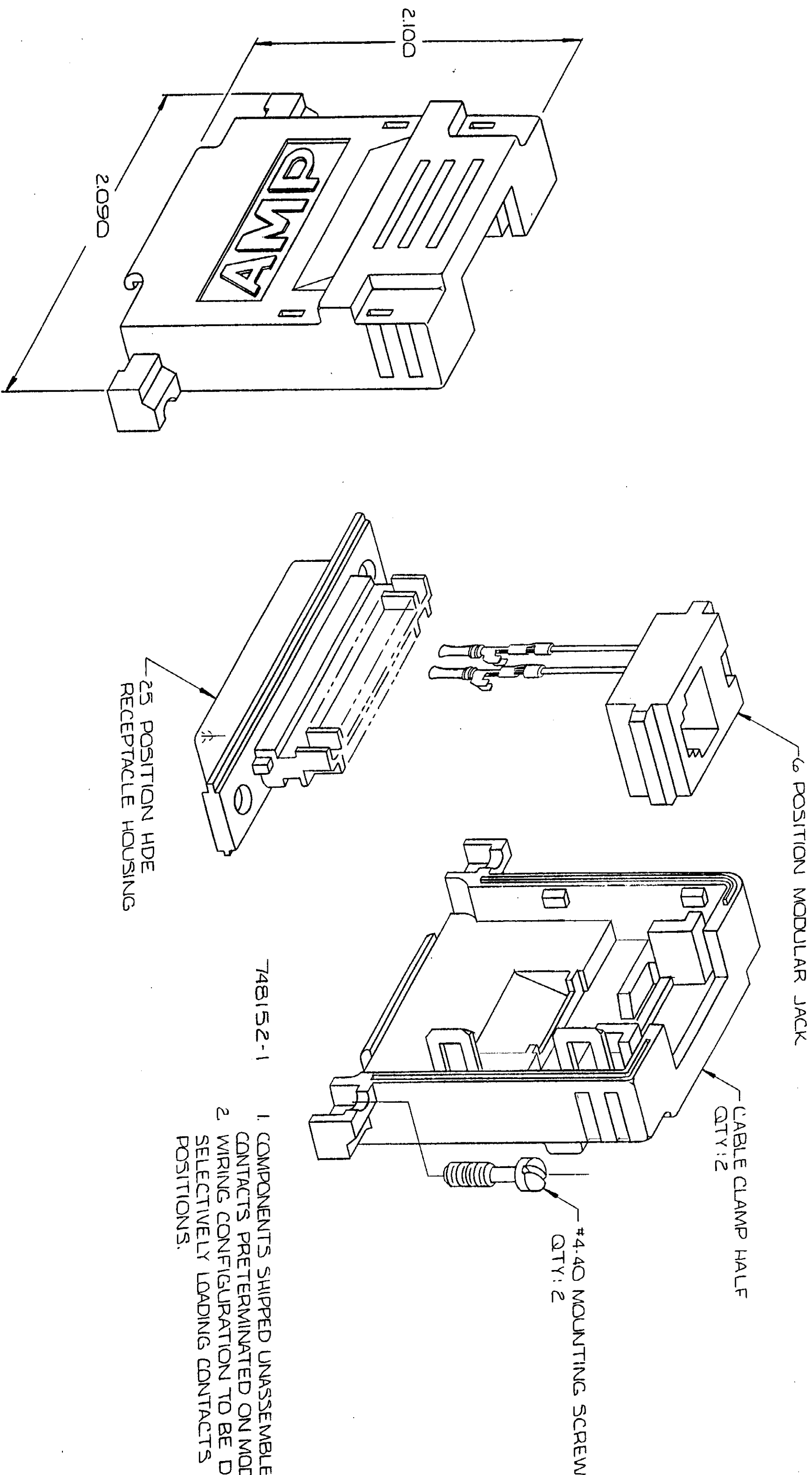


THIS DRAWING IS UNPUBLISHED. RELEASED FOR PUBLICATION
 © COPYRIGHT 19 BY AMP INCORPORATED, HARRISBURG, PA. ALL INTERNATIONAL RIGHTS RESERVED. AMP PRODUCTS MAY BE COVERED BY U.S. AND FOREIGN PATENTS AND/OR PATENTS PENDING.

REVISIONS		DATE	APPROVED
P	ZONE LTR		
0	RELEASED		
1	REV-EQN 1775	5/1/87	R

LOC R1ST
BD 39



1. COMPONENTS SHIPPED UNASSEMBLED IN KIT FORM WITH CONTACTS PRETERMINATED ON MODULAR JACK WIRES.
2. WIRING CONFIGURATION TO BE DETERMINED BY USER, SELECTIVELY LOADING CONTACTS INTO DESIRED CIRCUIT POSITIONS.

UNLESS OTHERWISE SPECIFIED DIMENSIONS ARE IN INCHES. TOLERANCES ON: DECIMALS ± .010 ANGLES		CONTRACT NO		PART NO	
MATERIAL: MOLDED PARTS: FLAME RETARDANT BLACK THERMOPLASTIC SCREWS: STEEL FINISH: SCREWS: ZINC PLATED		DR <i>C. Richard</i> 11/11/85		AMP AMP INCORPORATED Harrisburg, Pa. 17105	
CHK <i>[Signature]</i> 11/22/85		APPD <i>[Signature]</i> 11/12/85		NAME: RS 232 / 6 POSITION MODULAR JACK INTERFACE CONNECTOR KIT, AMPLIMITE	
APPD <i>[Signature]</i> 11/12/85		DSGN APPD <i>[Signature]</i> 11/12/85		SIZE: FSCM NO 00779 DRAWING NO 748152	
OTHER APPD		SCALE NTS		SHEET	

748152